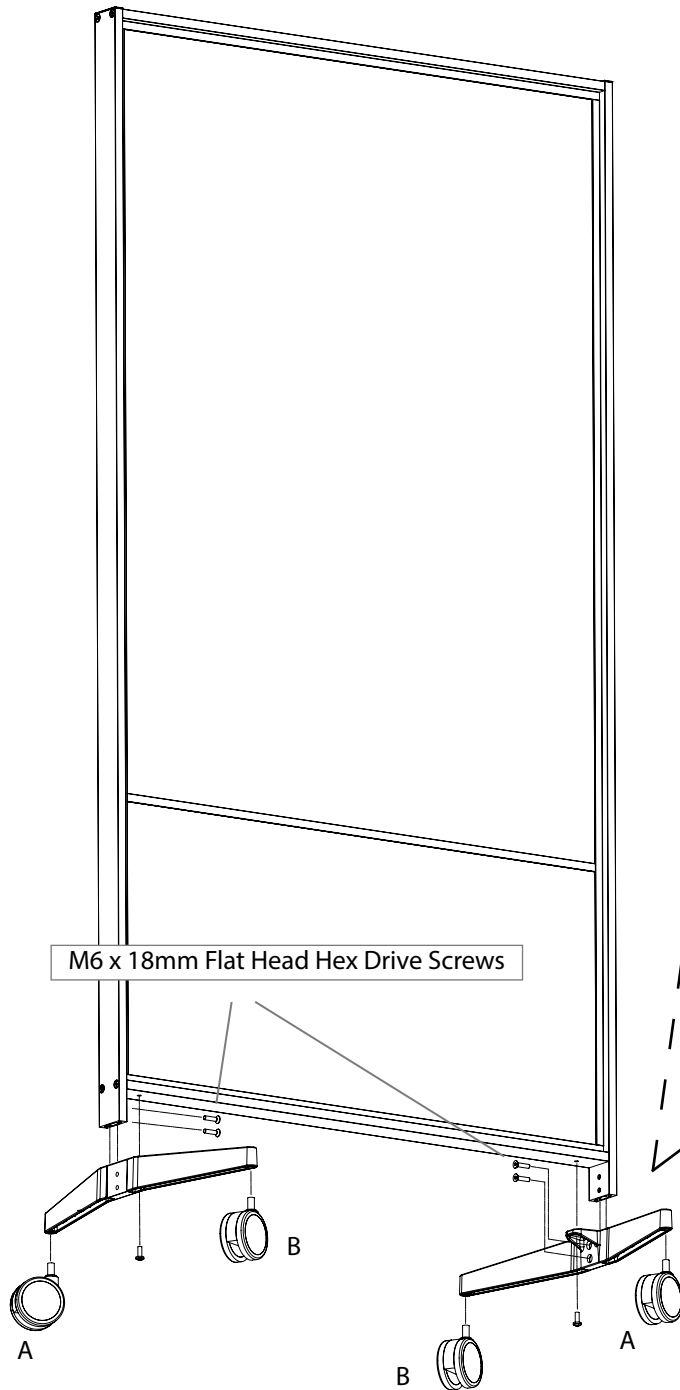
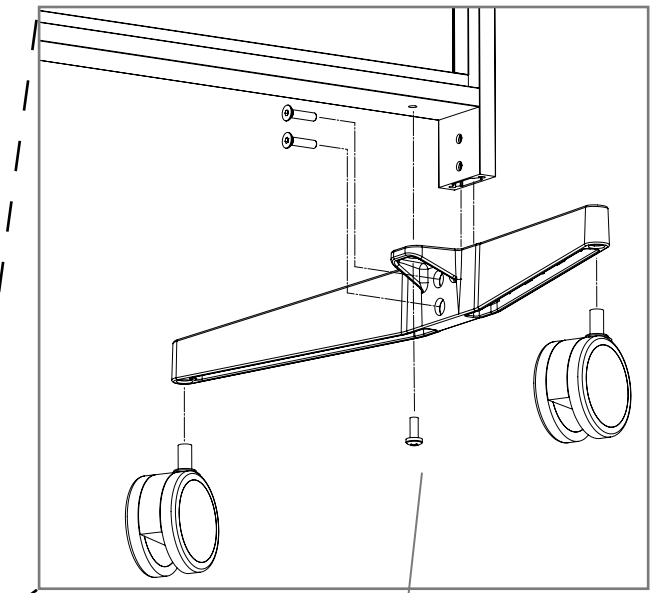


elements Series Mobile Board Assembly Instructions



Items included (per board)	
1 set each	2 Foot Brackets
	2 Locking Rear Casters
	2 Non-Locking Front Casters
4 each	M6 x 18mm Flat Head Hex Drive Screws
2 each	M6 x 14mm Pan Head Phillips Drive Screws
1 each	4mm Hex Wrench



A Locking Casters
B Non-Locking Casters