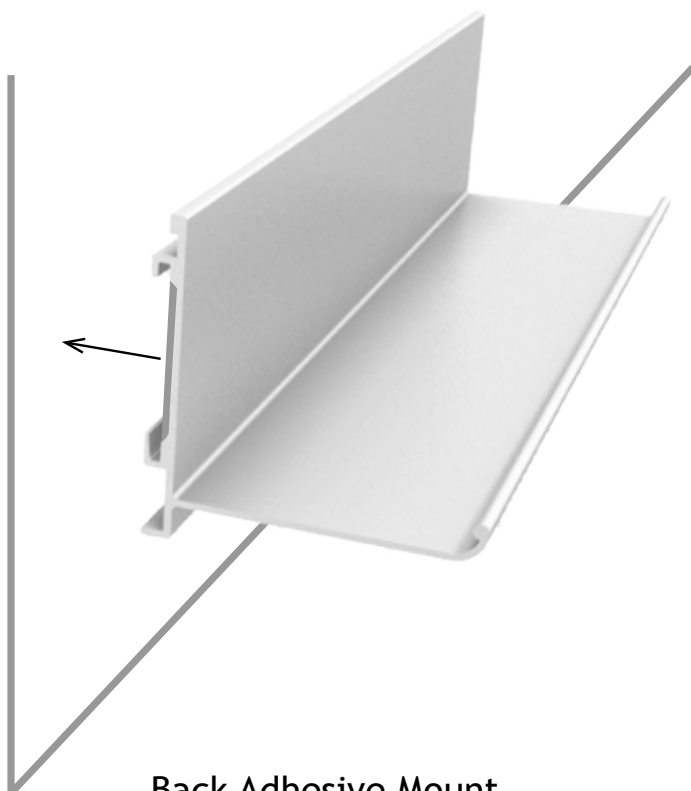


Universal Penshelf Mounting Instructions

Adhesive • Magnetic • VIP • Wall

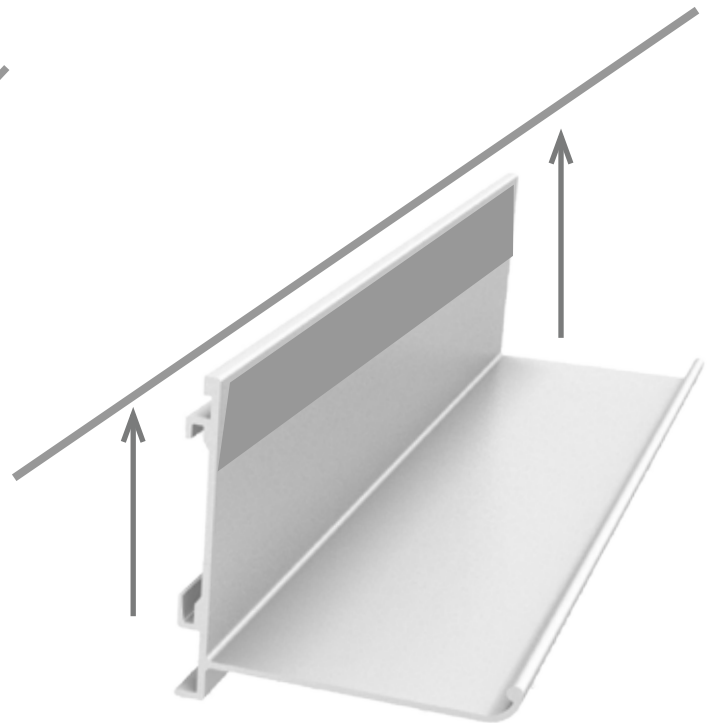
Adhesive Mounted Penshelf Front or Back Mount for Frameless Glassboards



Back Adhesive Mount

Note: Adhesive Bond is Permanent!

Clean glass surface
Place penshelf in desired location
Remove adhesive covering film
Press to glassboard



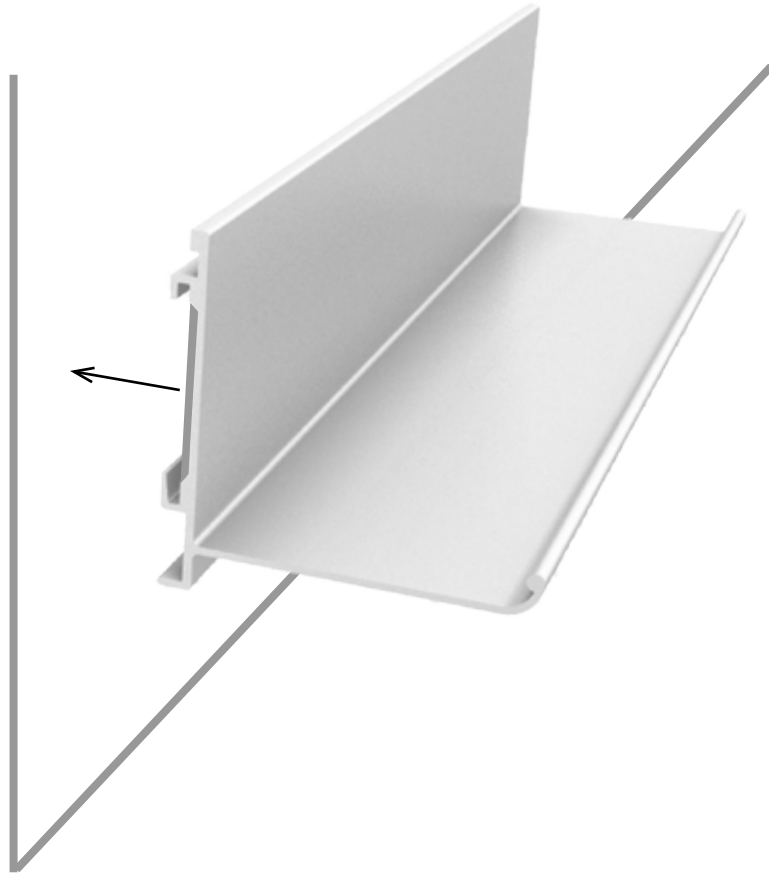
Front Adhesive Mount*

Note: Adhesive Bond is Permanent!

Clean back surface of glassboard
Place penshelf in desired location
Remove adhesive covering film
Insert penshelf behind glassboard
Press to glassboard

*Install prior to mounting glass on wall, if possible

Magnetic Mounted Penshelf Glassboards or Porcelain (Whiteboards/Chalkboards)



Remove protective film from "Grip Tape".
Place penshelf in desired location
Press to glass or porcelain board

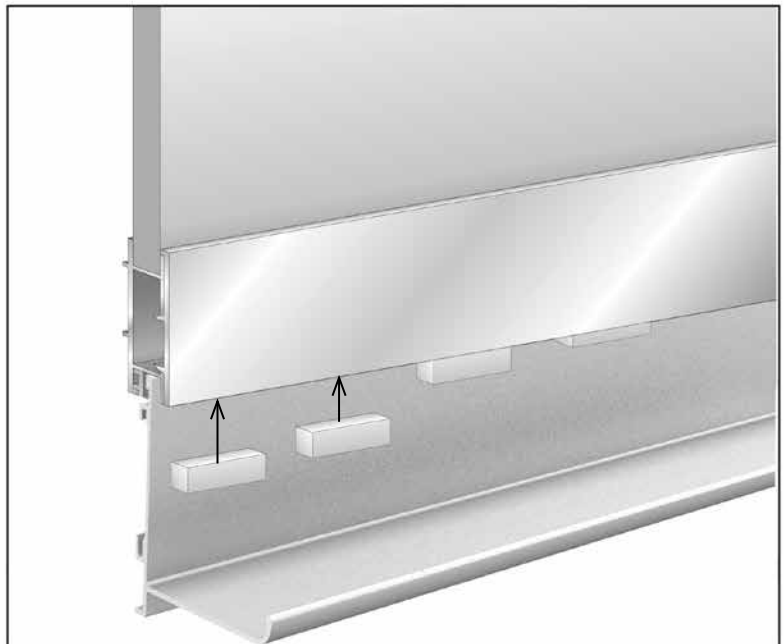
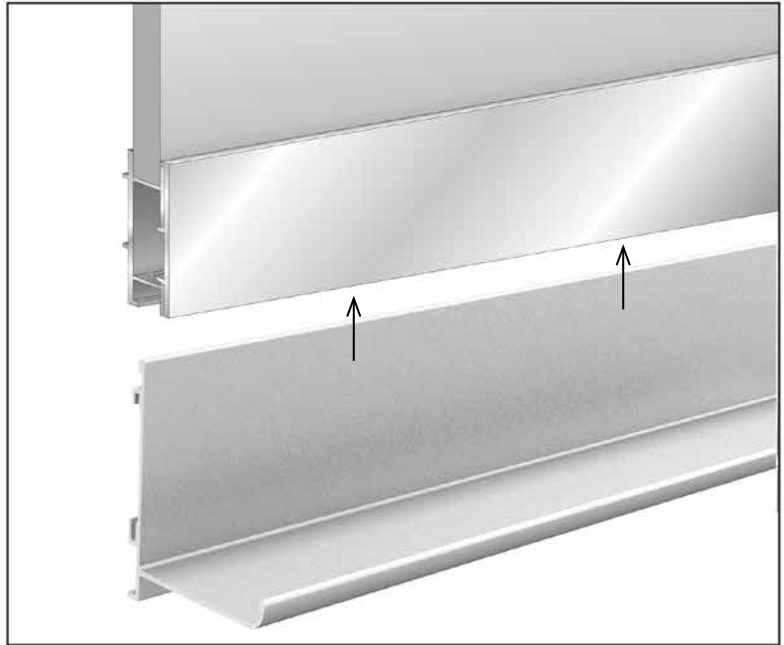
Items included with penshelf

Appropriate magnets for glass or porcelain
included in penshelf rear track according to
penshelf length.

VIP Penshelf—Anodized Aluminum Glassboard • Whiteboard • Noticeboard • Chalkboard

Number of mounts per shelf

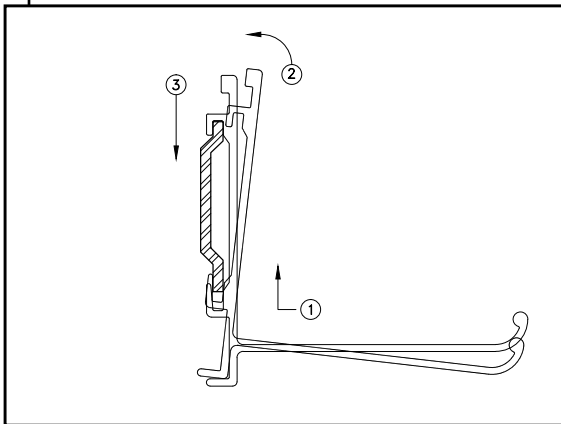
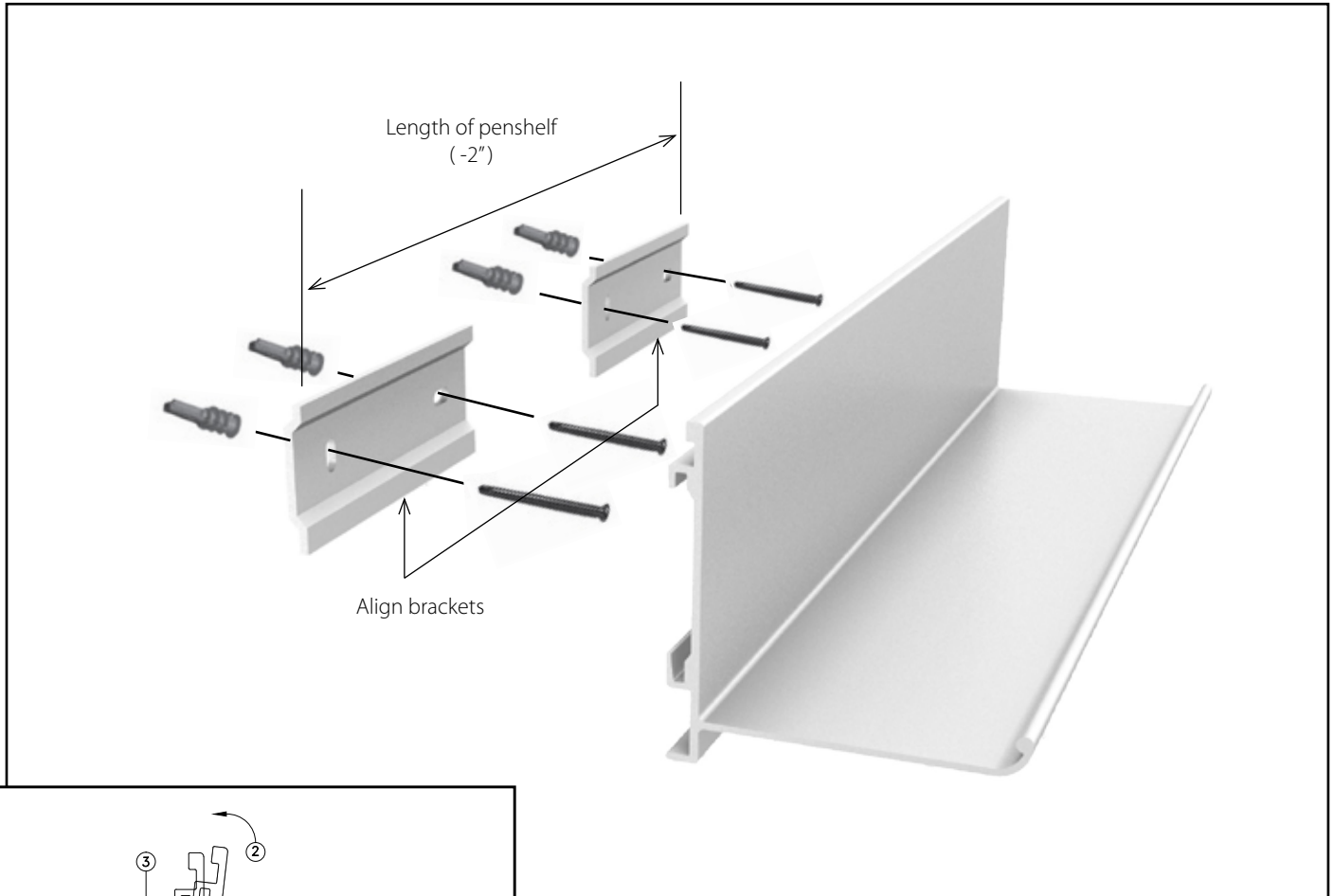
1 mount per 50 cm/19.5"



Press "Retainer Blocks" into place
approximately every 20"—24"

Blocks should be "tight" in place

Wall Mounted Penshelf



Items included with penshelf

- 2 M-4 Brackets
- 4 #8 x 2" Self-drilling, Pan head screws
- 4 75lb. Drywall Anchors

*Penshelves longer than 32" will require additional brackets spaced approximately 18"-24" apart.

1. Tilt penshelf down and hook bottom of bracket then lift.
2. Rotate top of penshelf over bracket
3. Push penshelf down onto bracket.