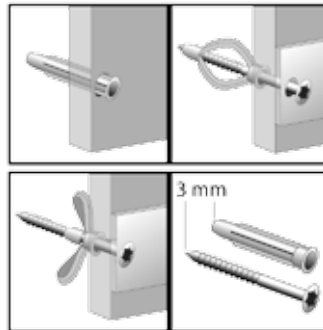
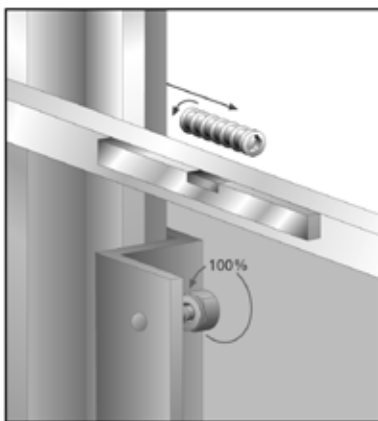
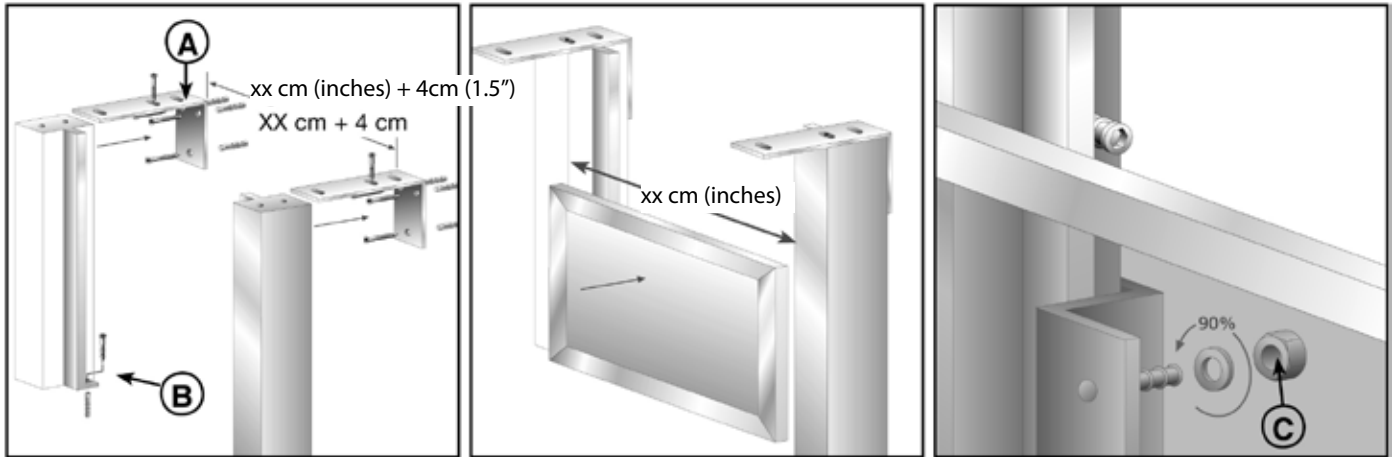


Column Board Mounting Instructions Whiteboards • Chalkboards



For mounting in single gypsum wallboard, special screws and plugs must be used.

See notes on page 2 for more information.

Number of Brackets per board:	
A	
2	brackets
6	6 x 60mm screws
4	6 x 20mm screws
6	8 x 50mm universal wall plugs
B	
4	4 x 50mm screws
4	6 x 50mm universal wall plugs
C	
8	8mm locknuts
<small>Universal wall plugs are suitable for mounting in concrete, stone, lightweight concrete, aerated concrete, hollow tiles and particle board.</small>	



Notes on Installation:

- Shims may be needed if the wall is not plumb and straight.
- Rubber bumpers may be needed behind boards to eliminate rattles or movement vibrations.
- Brackets must align with each other.
- Always screw into studs whenever possible.

WARNING: Danger if improperly installed. Installation must be done by a qualified professional. Check the suitability of the wall and ceiling, and make sure that the fastening devices will withstand the loads.

For disposal, the components should be divided by type of material if possible. In any case, this product can be recycled at a community recycling center.